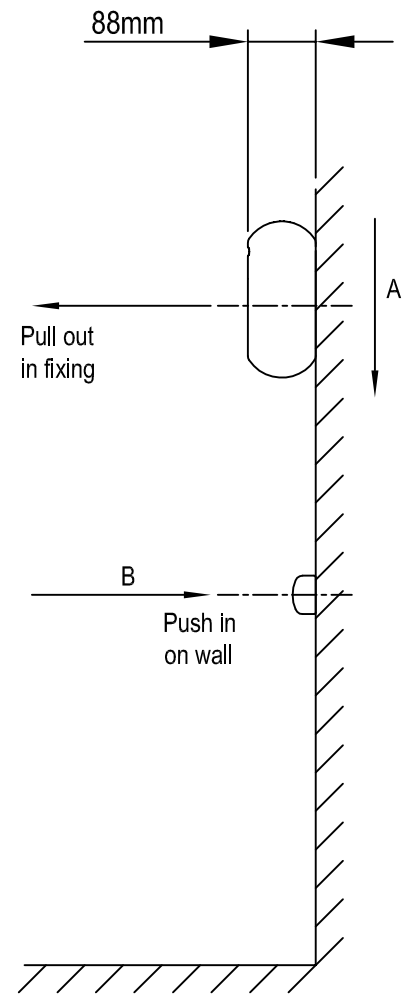


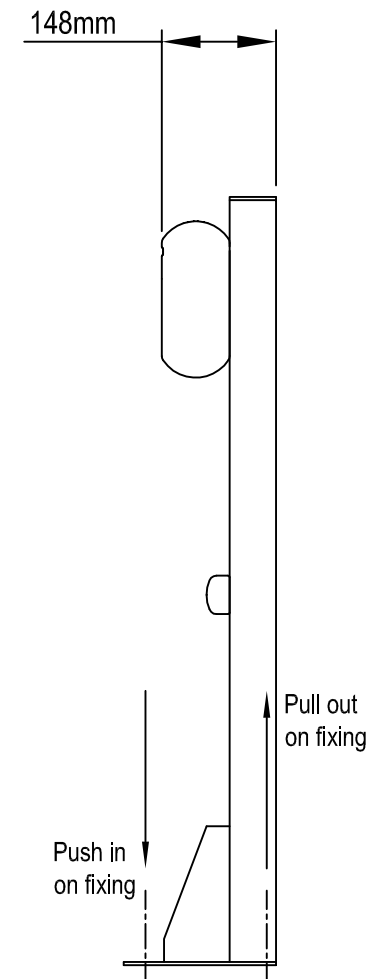
# Stairiser SX

Technical data sheet for wheelchair platform stairlift  
Pull-out loads

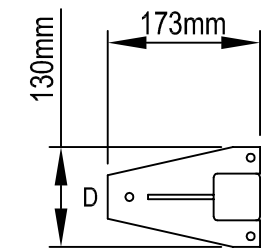
For a wall mounted rail, the wall at fixing positions 'A' & 'B' shall be capable of reacting loads in horizontal directions shown; magnitude of load at each position is 2.8kN. Additionally, fixing at 'A' is subject to a vertical (shear) load of 1.8kN.



Wall mounted rail



For a free standing rail, the floor shall be capable of reacting a push-in load of 7.2kN at position D and pull-out loads of 2.7kN at positions 'E' & 'F'. Note 3 off fixings per support pillar are required & that it is assumed all loads are reacted in fixings at positions D, E & F.



Pillar supported rail  
(fixed to staircase)

**Notes:**

1. It is the responsibility of the customer to ensure that the strength of the wall, staircase & landings (whichever applicable) are adequate to accept the loads imposed.
2. Loads stated are static & allow for worst case loading condition (safety gear activation). However, loads are un-factored.
3. Fixings to be made at nominal pitches of 600mm along length of rail.

**Waiver**

This data sheet is for guidance only & must not be used for proper working drawings. Please contact your dealer for particular details before proceeding. Owing to our policy of continual improvement, we reserve the right to alter specifications & dimensions without prior notice.